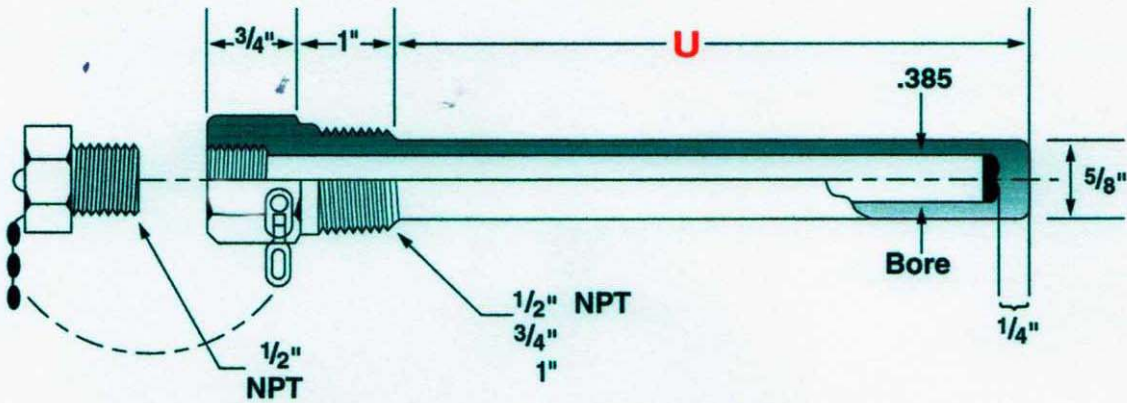


TEST THERMOWELL

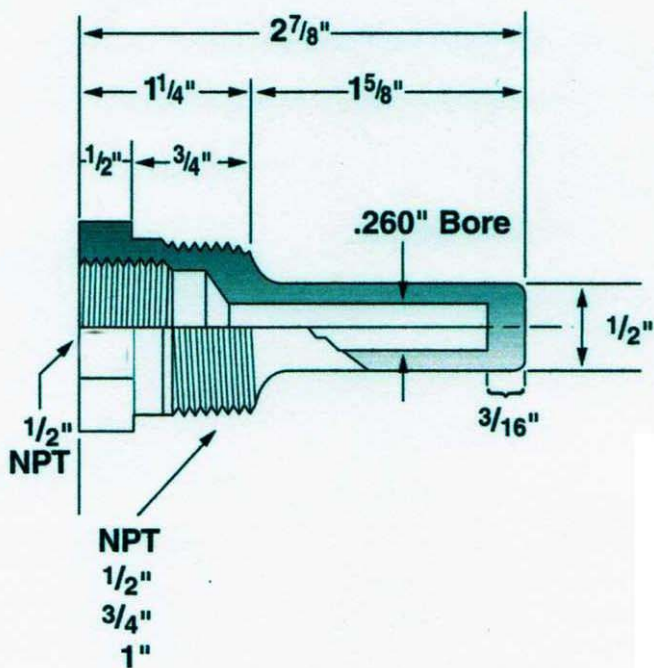


- General purpose test well
- Plug and chain furnished

- .385 Bore standard
- Extended Lagging models available

Order Code	P Ext. Thread	Bore Size
T101	1/2"	.385
T102	3/4"	.385
T103	1"	.385

LIMITED SPACE THERMOWELL



Order Code	P Ext. Thread	Bore Size
T101	1/2"	.260
T102	3/4"	.260
T103	1"	.260