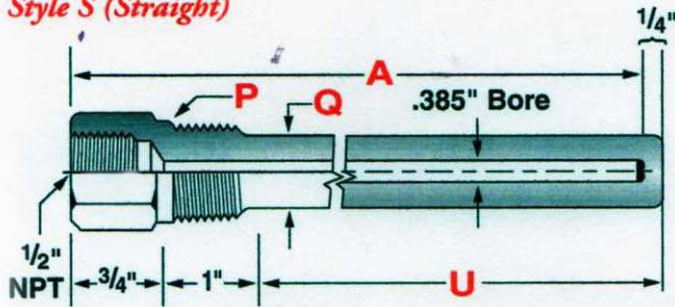


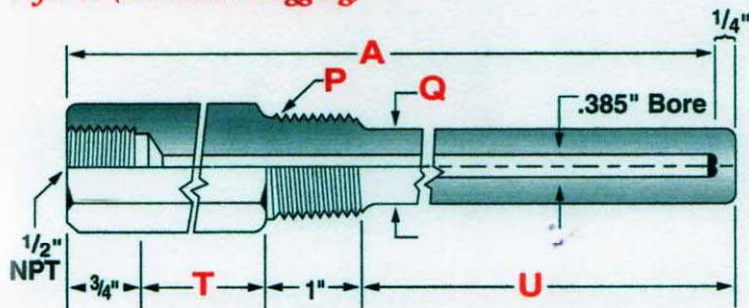
Threaded Thermowells

STANDARD STRAIGHT (fits 3/8" diameter elements)

Style S (Straight)



Style H (Extended Lagging)



Straight Shank

P Ext. Thread	Order Code	A Length	U Insertion	Q Shank Dia.
3/4" NPT	102S	4	2 1/2	9/64
		6	4 1/2	9/64
		9	7 1/2	9/64
		12	10 1/2	9/64
		15	13 1/2	9/64
1" NPT	108S	4	2 1/2	7/8
		6	4 1/2	7/8
		9	7 1/2	7/8
		12	10 1/2	7/8
		15	13 1/2	7/8
18	16 1/2	7/8		

Straight Shank (Extended Lagging)

P Ext. Thread	Order Code	A Length	U Insertion	Q Shank Dia.	T
3/4" NPT	H102S	Deter- mined by T value	2 1/2	9/64	S P E C I F Y
			4 1/2	9/64	
			7 1/2	9/64	
			10 1/2	9/64	
			13 1/2	9/64	
1" NPT	H108S	Deter- mined by T value	2 1/2	7/8	S P E C I F Y
			4 1/2	7/8	
			7 1/2	7/8	
			10 1/2	7/8	
			13 1/2	7/8	
16 1/2	7/8				

Standard Insertion Lengths (U) shown... ALL other sizes available.