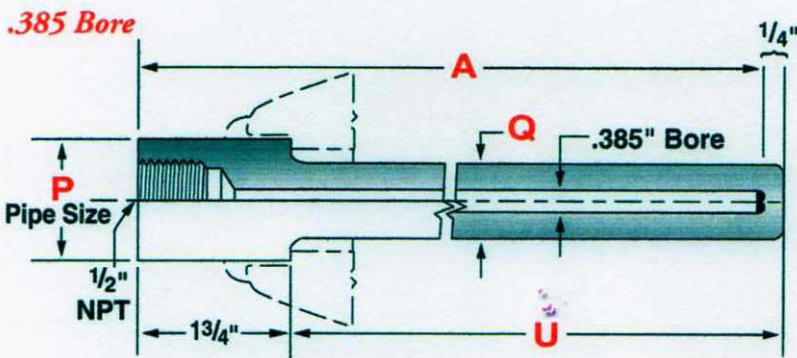
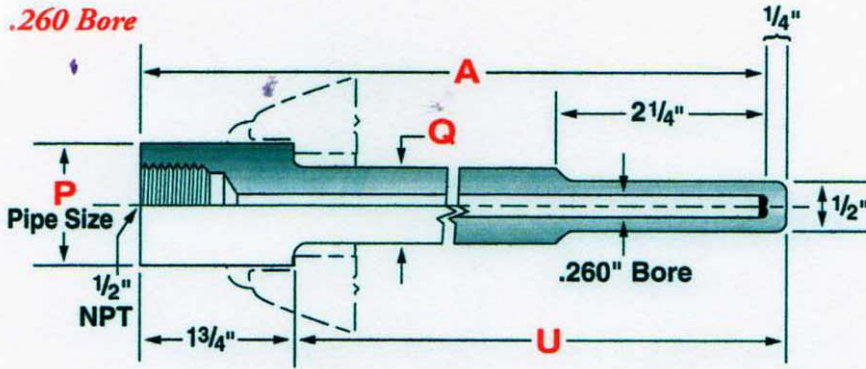


SOCKET-WELD THERMOWELLS (fits 1/4" & 3/8" diameter elements)



.260 Bore

Pipe Size	Order Code	A Length	U Insertion
3/4" (1.050) diameter	103SW Q = 3/4"	4	2 1/2
		6	4 1/2
		9	7 1/2
		12	10 1/2
		15	13 1/2
		18	16 1/2
1" (1.315) diameter	109SW Q = 7/8"	4	2 1/2
		6	4 1/2
		9	7 1/2
		12	10 1/2
		15	13 1/2
		18	16 1/2

.385 Bore

Pipe Size	Order Code	A Length	U Insertion
3/4" (1.050) diameter	102SW Q = 49/64"	4	2 1/2
		6	4 1/2
		9	7 1/2
		12	10 1/2
		15	13 1/2
		18	16 1/2
1" (1.315) diameter	108SW Q = 7/8"	4	2 1/2
		6	4 1/2
		9	7 1/2
		12	10 1/2
		15	13 1/2
		18	16 1/2

Standard Insertion Lengths (U) shown...ALL other sizes available. Extended Lagging also available.