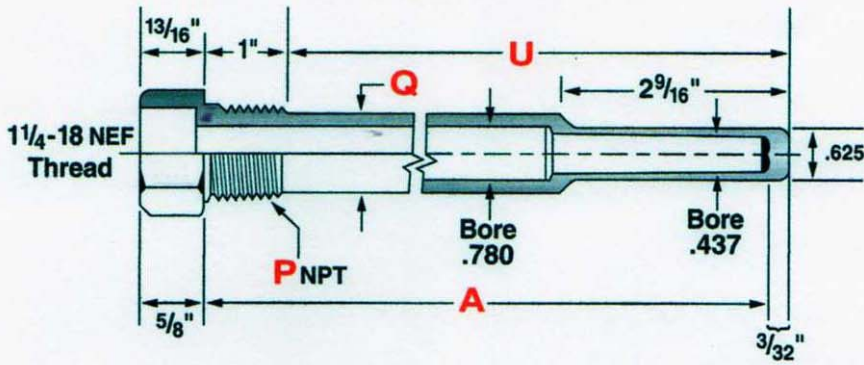
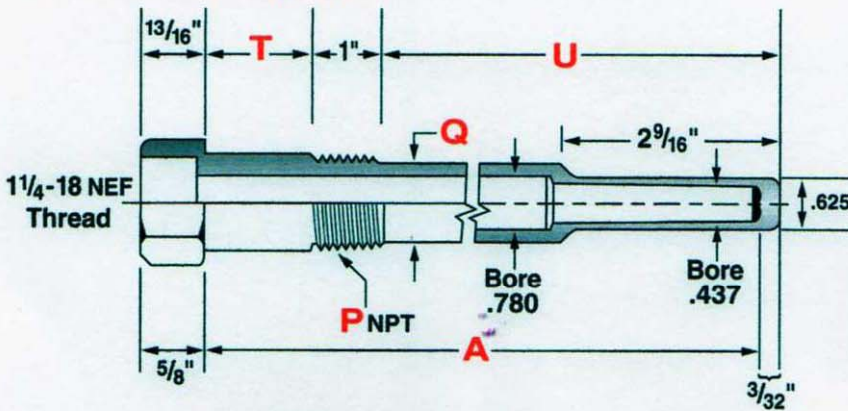


## INDUSTRIAL GLASS THERMOMETER THERMOWELLS



*Style A (Extended Lagging)*



**Standard Stepped**

P Ext. Thread	Order Code	Nominal Bulb Length	A Length	U Insertion	Q Shank Dia.
3/4" NPT	110	3 1/2	3 5/8	2 9/16	-
		6	6 1/8	5 1/16	7/8
		9	9 1/8	8 1/16	7/8
		12	12 1/8	11 1/16	7/8
		18	18 1/8	17 1/16	7/8
24	24 1/8	23 1/16	7/8		
1" NPT	111	3 1/2	3 5/8	2 9/16	-
		6	6 1/8	5 1/16	1
		9	9 1/8	8 1/16	1
		12	12 1/8	11 1/16	1
		18	18 1/8	17 1/16	1
24	24 1/8	23 1/16	1		

**Standard Stepped (Extended Lagging)**

P Ext. Thread	Order Code	Nominal Bulb Length	A Length	U Insertion	Q Shank Dia.	T
3/4" NPT	H110	6	6 1/8	2 9/16	-	2 1/2
		9	9 1/8	5 1/16	7/8	3
		12	12 1/8	8 1/16	7/8	3
		18	18 1/8	14 1/16	7/8	3
		24	24 1/8	20 1/16	7/8	3
1" NPT	H111	6	6 1/8	2 9/16	-	2 1/2
		9	9 1/8	5 1/16	1	3
		12	12 1/8	8 1/16	1	3
		18	18 1/8	14 1/16	1	3
		24	24 1/8	20 1/16	1	3

Standard Insertion Lengths (U) shown... ALL other sizes available.